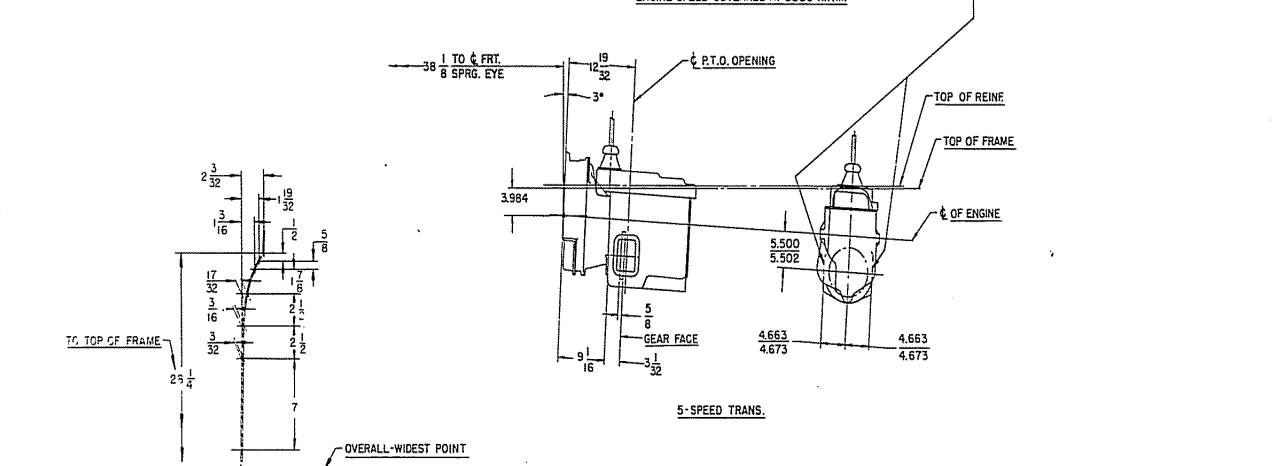
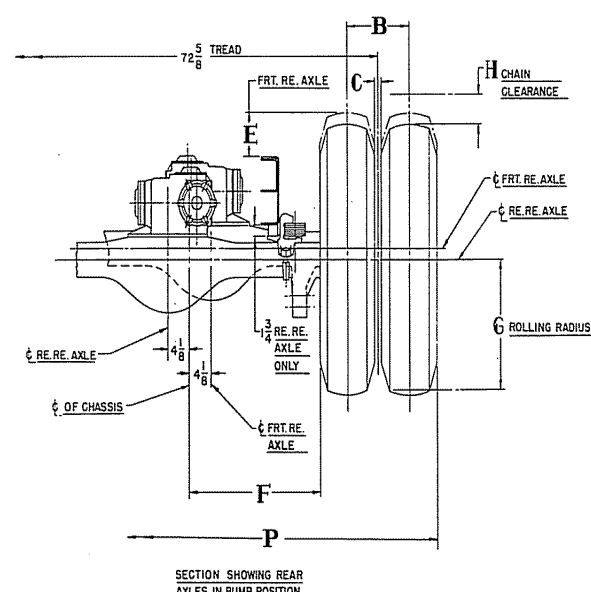


P.T.O. OPENING, S.A.E. STD. LARGE ON BOTH SIDES.
 GEAR: TRANS. COUNTERSHAFT P.T.O. 43T. 6/8 P. 20° P.A.
 SPEED RATIO 481 R.P.M. TO 1000 R.P.M. (ENG)
 SPEED RATIO (OVERDRIVE) 540 R.P.M. TO 1000 R.P.M. (ENG)
 ROTATION: OPPOSITE ENGINE
 ENGINE SPEED GOVERNED AT 3000 R.P.M.



TIRE SIZE	RIM SIZE	A	B	C	E	F	G	H	P
10.00/20 I2P 20X7	68 7/16								
10.00/20 I2P 20X7		11 15/16	1.31	6.62	25.03	19.68	4 1/2	95.18	



FRONT SPRINGS			
M	LOAD LBS.	RATE LBS. PER SPRG. PER INCH	SPRNG. #
14	3500	1270	1264212

PRINT # 1270711

BODY BUILDERS LAYOUT
YX-154", 164", 172", 190" W.B. (SIX-WHEELER)